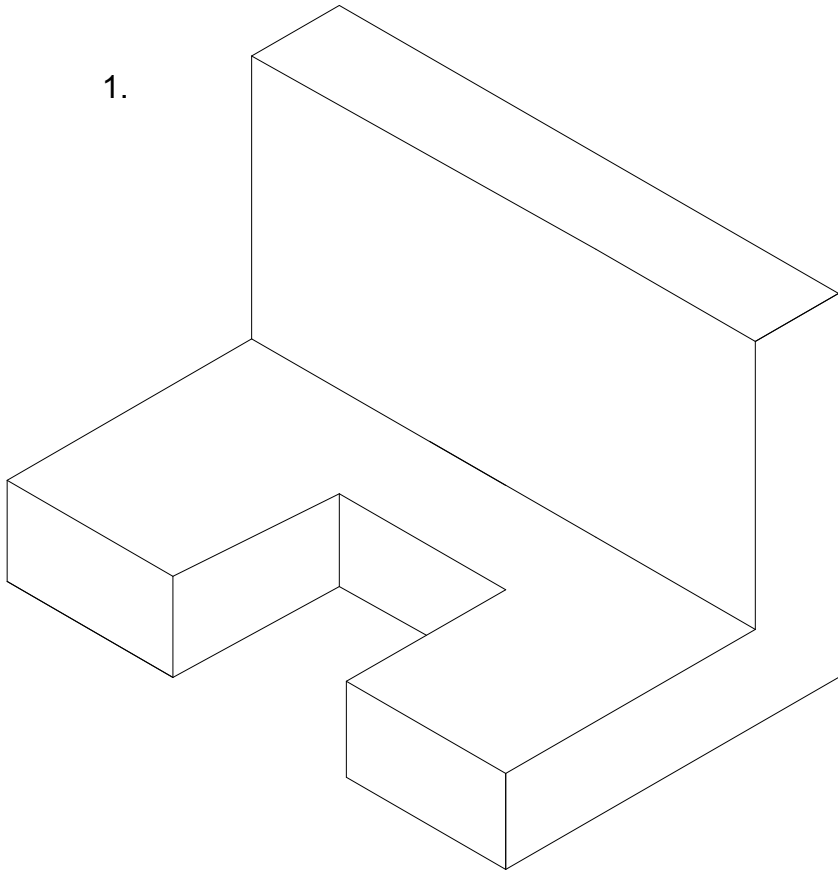
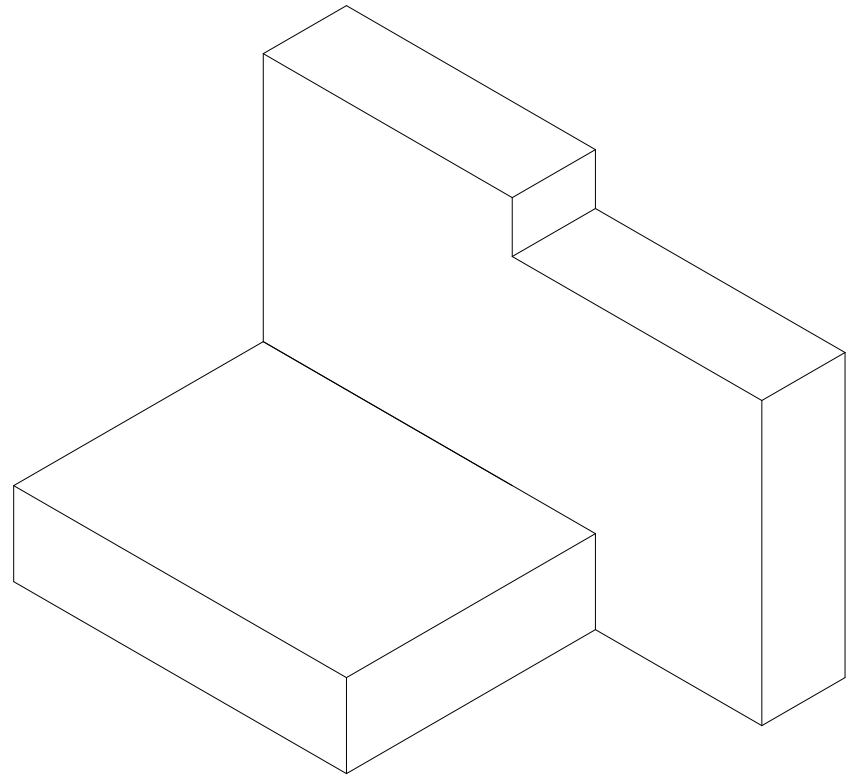


1.



2.



**STEVENSON HIGH SCHOOL**  
TECHNOLOGY EDUCATION DEPARTMENT  
TECHNICAL DRAWING PROGRAM

DRN BY: EMILY Z.

DATE: 11/3/11

SCALE: 1-1

ISO SKETCHING

1

1